



WINLET 1000

The glazing robot with a 1 tonne capacity

The **Winlet 1000** can lift 1t yet is ideal for working across rough terrain and low load bearing floors.



1000kg max lifting capacity



Vacuum Robots course



Technical Specifications	
Max Lifting Capacity	1000kg
Lift Height	4100mm
Max Extension from front bumper to suction cup	2500mm
Extension Capacity - at max extension	300kg
Side Lift Capacity	300kg
Tilt Function	180°
Rotation	180°
Linear	75mm
Fine Lift on Jib Head	200mm
Suction Cups (Glass)	4 @ 410mm
Total Machine Weight	1850kg
Light Weight - excluding counterweights	1300kg
Battery	2x 150 AH
Remote Control	Wired

Accessories

- Wireless Radio Remote
- Support Legs
- Twin Wheels
- Quick Connector Set for Suction Cups
- Drive Alarm
- LED Flashing Beacon
- Protective Cup Covers
- Remote Control Cover
- Drive Handle Cover
- All Weather Protection Kit
- Stone Suction Cups



Winlet 1000 has a huge maximum reach of 2.6m



Twin wheels for rough terrain (optional)



Multifunction control panel with integrated buttons and signal lights

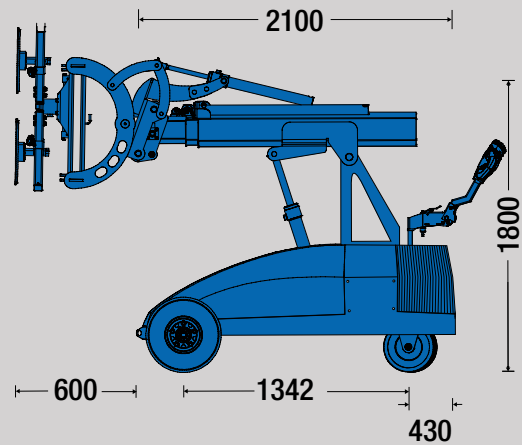
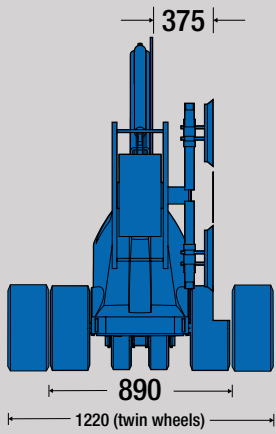


Intelligent load monitoring protects the operator and the load

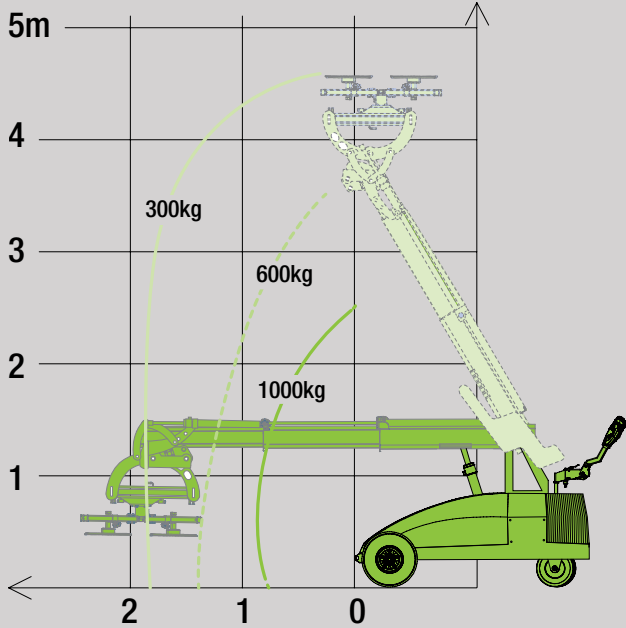


The Winlet 1000 has an unrivalled lift and reach capacity along with a low weight / low surface pressure

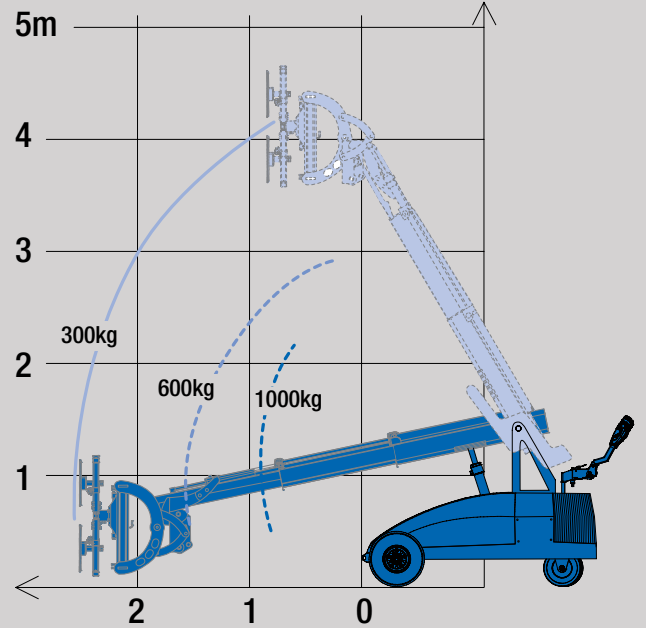
Dimensions



Pick up and place



Reach



ACCESSORIES		Winlet 350	Winlet 350TH	Winlet 400 TL	Winlet 575	Winlet 600	Winlet 785	Winlet 1000	Winlet 1000 TRX
	Wireless Radio Remote	✓	✓	✓	✓	✓	✓	✓	
	Support Legs	✓		✓	✓	✓	✓	✓	
	Extra Wide Steering Wheel	✓			✓				
	Twin Wheels	✓		✓	✓	✓	✓	✓	
	Quick Connector Set for Suction Cups	✓	✓		✓	✓	✓	✓	✓
	Quick Connector Set for Main Supply	✓	✓						
	Individual Shut Off Valves for Cups	✓	✓						
	Drive Alarm	✓		✓	✓	✓	✓	✓	
	LED Flashing Beacon	✓	✓	✓	✓	✓	✓	✓	✓
	Protective Cup Covers	✓	✓	✓	✓	✓	✓	✓	✓
	Remote Control Cover	✓	✓		✓	✓	✓	✓	✓
	Drive Handle Cover	✓		✓	✓	✓	✓	✓	
	All Weather Protection Kit	✓	✓		✓	✓	✓	✓	
	Stone Suction Cups	✓	✓	✓	✓	✓	✓	✓	✓