



# LASIOUS

Winlet Lasius has a 1000kg lift capacity from an ultra-compact chassis, with an overall width of just 88cm.

It is highly manoeuvrable with tight turning circle and a travel speed of up to 4.2 kmh.

Once in position, you are ready to lift - no outrigger deployment and levelling - saving time.



**1000kg** max lifting capacity



CPCS A66 Compact Crane (B)



Technical Specifications	
Lifting capacity	1000kg
External width	880mm
External length	2500mm
Max lifting height	4000mm
Total weight excl. counterweight	1050kg
Total weight incl. counterweights	1325kg
Battery	2 x 150AH



Lasius is a latin name for a species of ant - an impressive lift capacity from a compact, narrow base



Wired remote control allows accurate placement of materials

## Accessories

- Twin wheels
- Support Stabilizers
- Lifting sling
- Radio Remote control

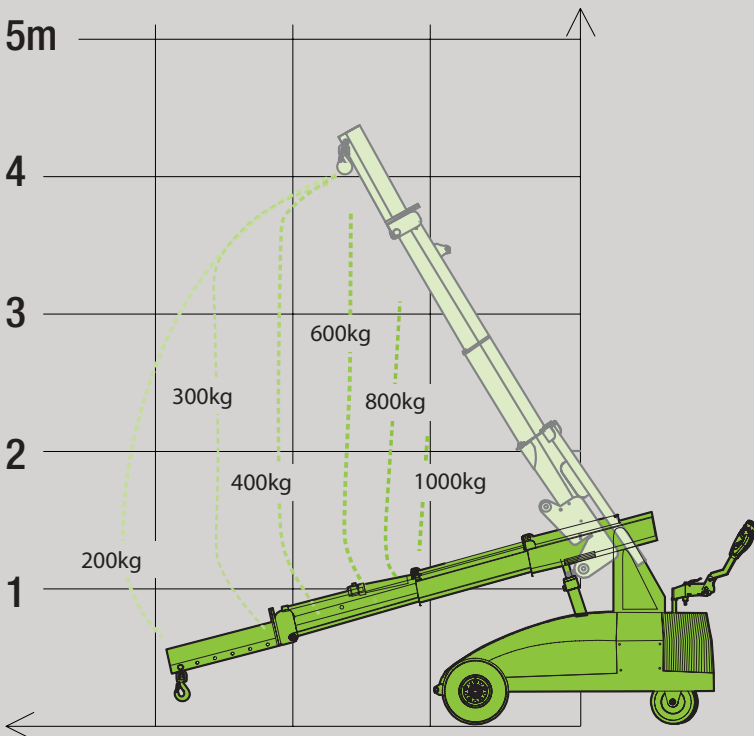
## Winlet Lasius is ideal for:

- Erecting steel beams and other building elements
- Glass and façade installation
- Machine assembly
- Repair work
- Packing of non-palletised goods in containers



Its battery power means it is emission free – making it suitable for industry and the construction site – indoors and outdoors.

## Working Envelope



## Dimensions

