

SK1000

Side and Top Lifter Stone Vac

Hird's powerful Stone Vac SK1000 for lifting stone, kerbs, paving, blocks, bricks, slabs and pipes up to 1,000kg.

- Side lift arm aids lifting
- Range of spreader beams available
- Low vacuum and overload alerts
- Suitable for polished stone materials



Safety note:

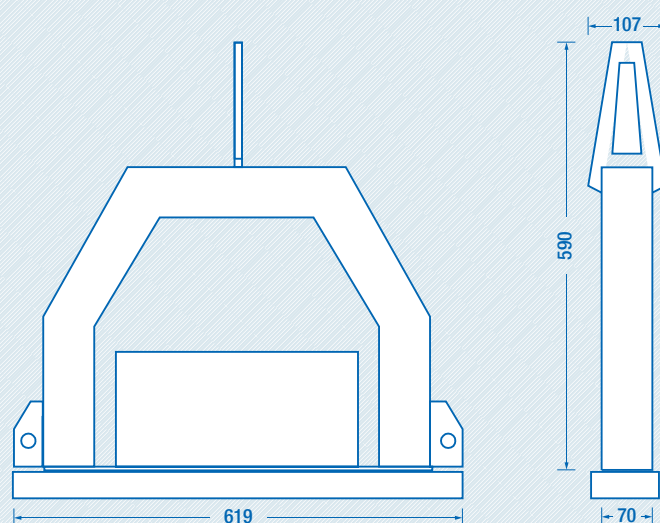
All stone & GRC materials require individual testing prior to lifting operations taking place.

1,000kg

Technical Specification

Max. lifting capacity	1,000kg for top lifting
Weight of lifter	44kg
Number of suction cups	1
Suction cup dimension	450mm x 900mm
Structural depth	107mm
Power source inc charger	Battery (110v on-board charger)

Dimensions (mm)



RTITB - accredited vacuum course



Product specifications are subject to change without notice or obligation.
The photographs and/or drawings in this document are for illustrative purposes only.